



US006832438B1

(12) **United States Patent**  
**Gringer et al.**

(10) **Patent No.:** **US 6,832,438 B1**

(45) **Date of Patent:** **Dec. 21, 2004**

(54) **UTILITY KNIFE WITH QUICK RELEASE HOUSING**

(75) **Inventors:** **Donald Gringer, New York, NY (US); Yuan Fang Cheng, Forest Hills, NY (US)**

(73) **Assignee:** **Allway Tools, Inc., Bronx, NY (US)**

(\*) **Notice:** Subject to any disclaimer, the term of this patent is extended or adjusted under 35 U.S.C. 154(b) by 296 days.

(21) **Appl. No.:** **09/874,665**

(22) **Filed:** **Jun. 5, 2001**

(51) **Int. Cl.<sup>7</sup>** ..... **B26B 1/08**

(52) **U.S. Cl.** ..... **30/162; 30/335**

(58) **Field of Search** ..... **30/162, 335**

(56) **References Cited**

**U.S. PATENT DOCUMENTS**

2,245,096 A	6/1941	Penney	
2,376,887 A	5/1945	Walters	
2,862,296 A	12/1958	Anderson	
2,948,961 A	8/1960	Ortner	
3,107,426 A	10/1963	Robinson, Jr.	
3,192,624 A	7/1965	Gringer	
5,022,156 A	6/1991	Kallens et al.	
5,025,558 A	6/1991	Gilbert	
5,121,544 A *	6/1992	Gilbert	30/335
5,141,517 A *	8/1992	Shutt	30/162
5,426,855 A *	6/1995	Keklak et al.	30/162
5,433,004 A	7/1995	Thompson et al.	
5,545,175 A *	8/1996	Abidin et al.	30/162
5,581,890 A *	12/1996	Schmidt	30/162
5,813,121 A	9/1998	Gringer	
6,044,562 A	4/2000	Dillenbeck	

6,058,607 A	5/2000	Gringer	
6,219,923 B1 *	4/2001	Sinisi et al.	30/162
6,286,215 B1 *	9/2001	Panaccione	30/335
6,349,473 B1 *	2/2002	Schmidt	30/335
6,438,849 B1 *	8/2002	Wonderley	30/161

\* cited by examiner

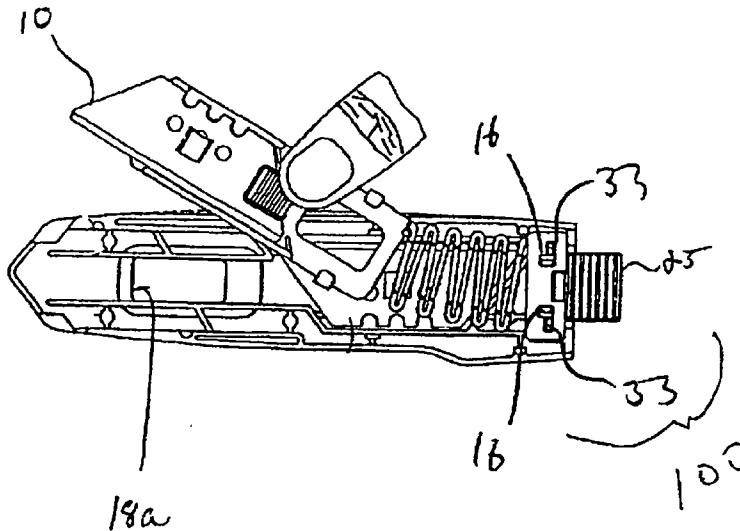
*Primary Examiner*—Hwei-Siu Payer

(74) *Attorney, Agent, or Firm*—Gottlieb, Rackman & Reisman, PC

(57) **ABSTRACT**

A cutting device includes (i) a housing having first and second separable portions, the first portion having a locking aperture, the second portion having an attachment aperture, and (ii) a locking apparatus for removably locking the first and second portions of the housing. The locking apparatus includes an attachment portion for being fixedly attached in the attachment aperture, and a locking arm adapted to be releasably locked into the locking aperture. The attachment aperture and locking aperture are correspondingly positioned so that the locking arm becomes aligned with the locking aperture when the first and second portions of the housing are aligned for assembly. The housing may be constructed of metal, and the locking apparatus constructed of plastic. The locking apparatus may also include a return spring and blade carrier integrally molded therewith. In one embodiment, the locking arm includes i) an upstanding portion oriented generally perpendicular to an axis of the housing, ii) an actuating arm extending laterally from a free end of the upstanding portion, so that downward force on the actuating arm causes a bending of the upstanding portion, and iii) a locking lip toward the free end of the upstanding portion extending laterally in a direction opposite to the direction of bending of the upstanding portion.

**11 Claims, 8 Drawing Sheets**



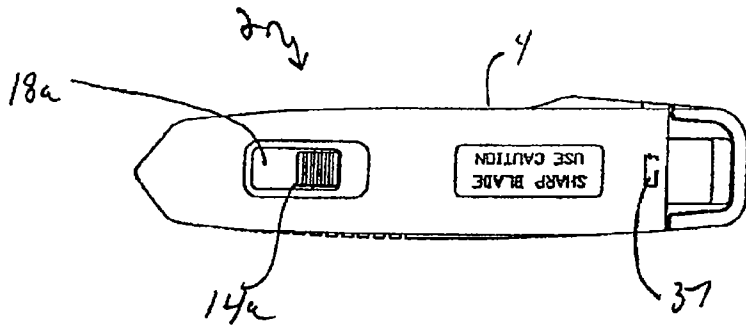


FIG 1

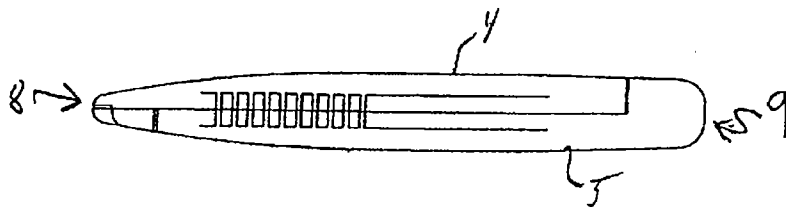


FIG 2

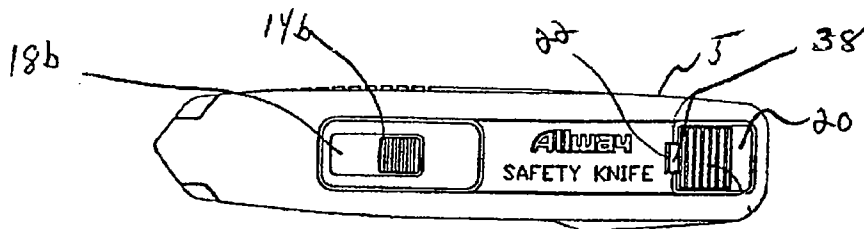


FIG 3

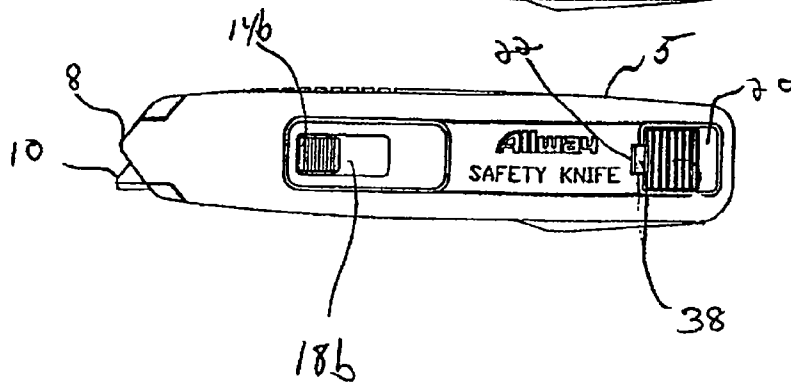


FIG 4

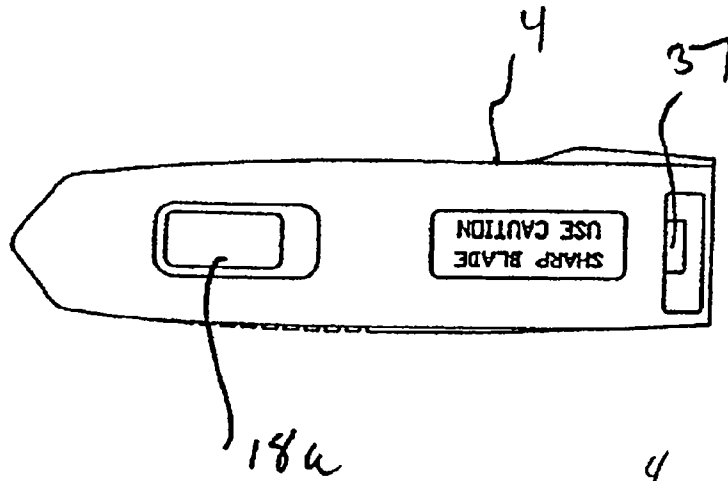


FIG 5

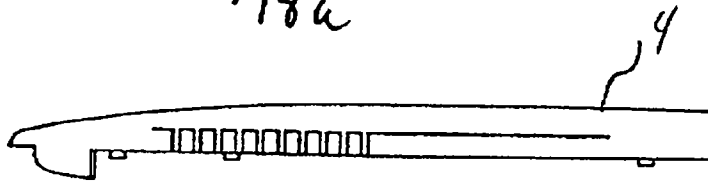


FIG 6

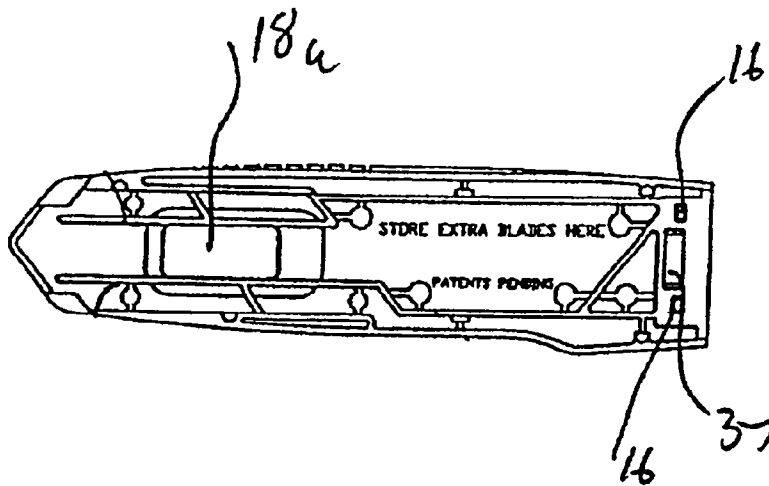
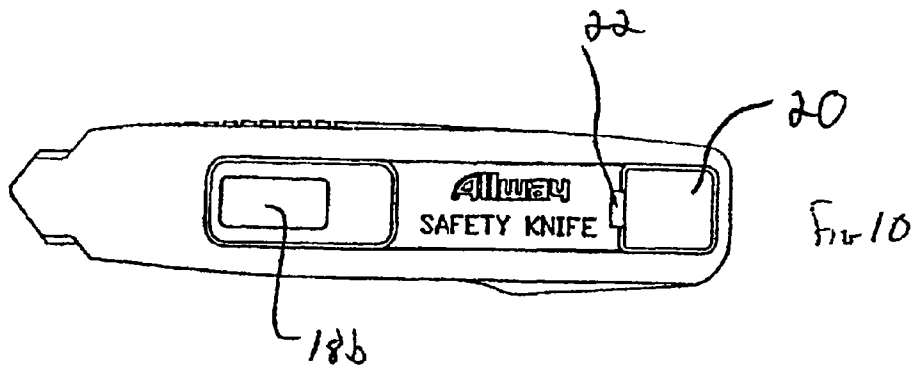
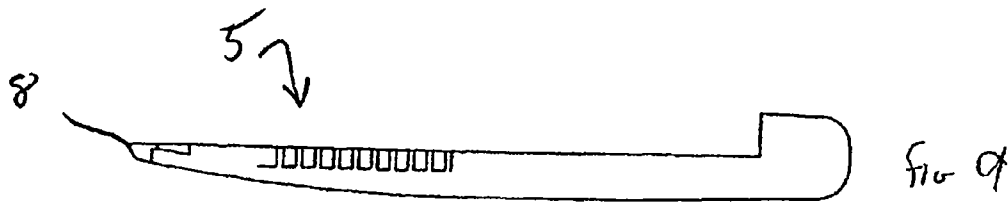
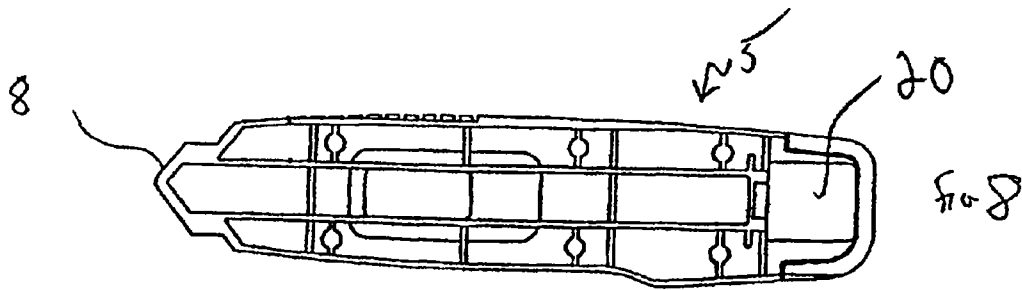
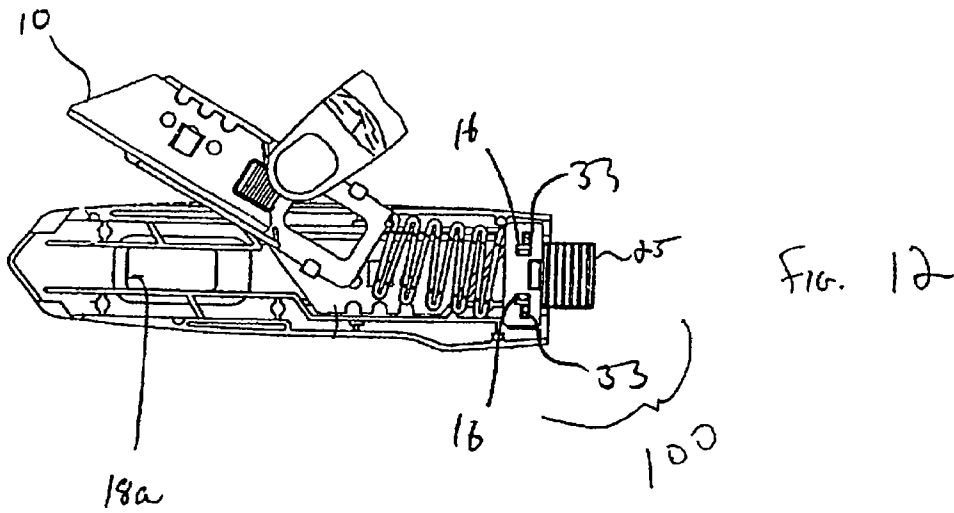
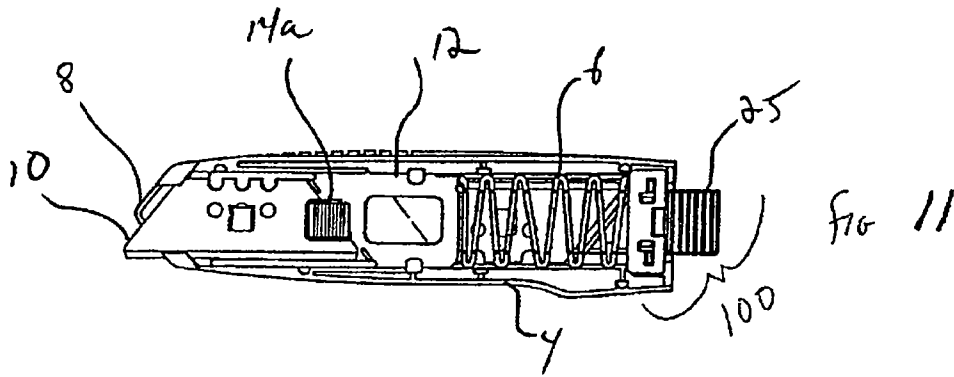


FIG 7







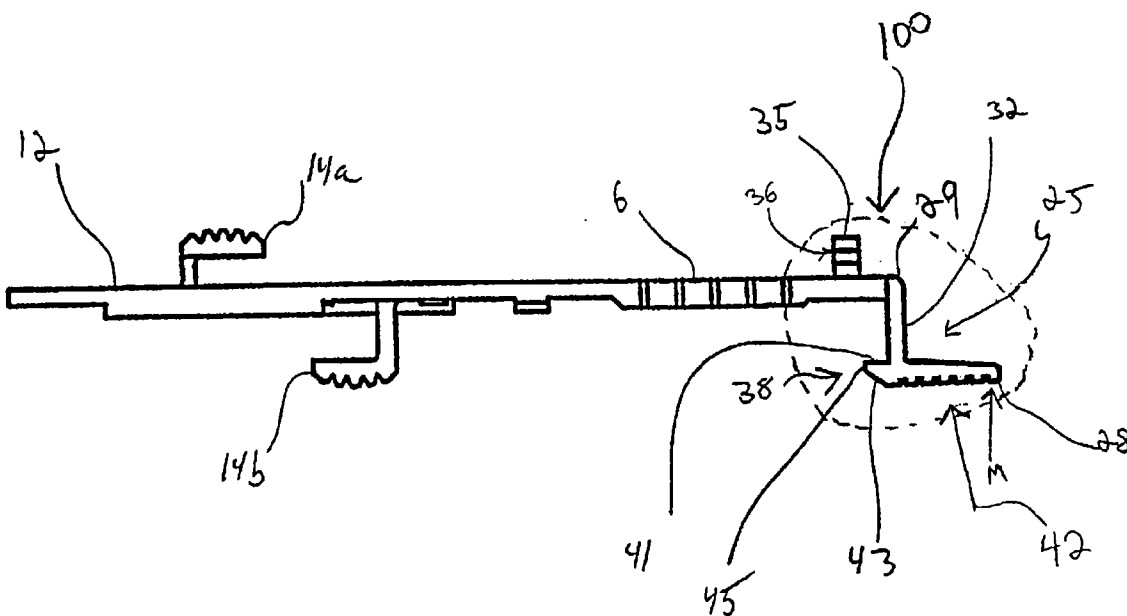


FIG. 14

FIG. 16A

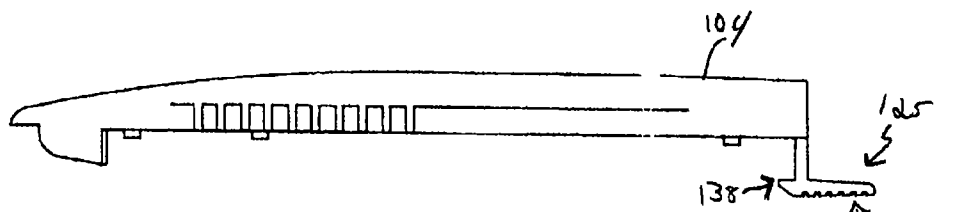


FIG. 16B

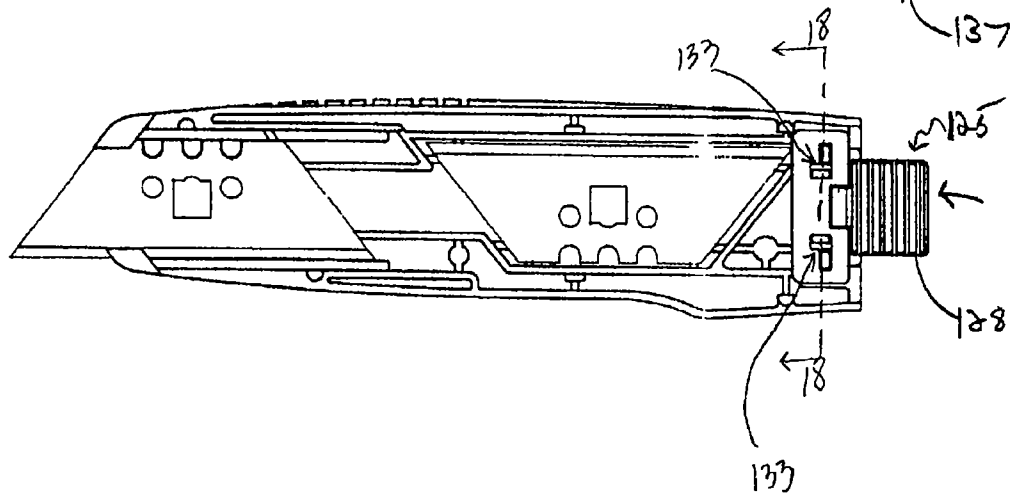


FIG 17A

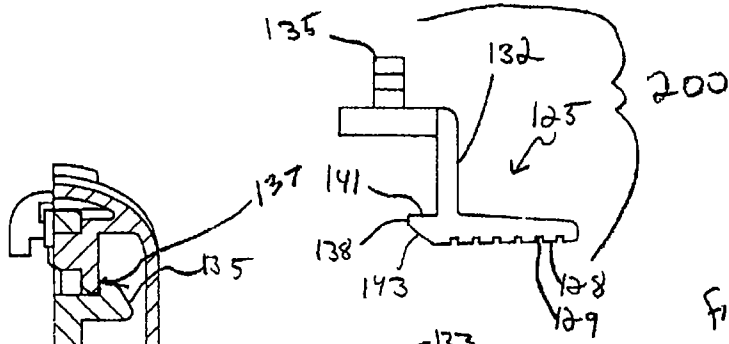


FIG 17B

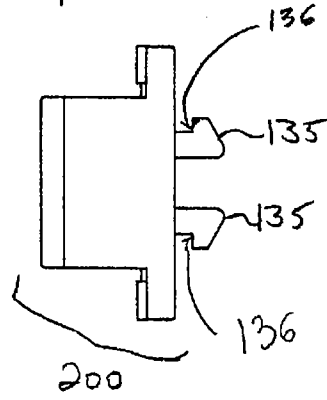


FIG 17C

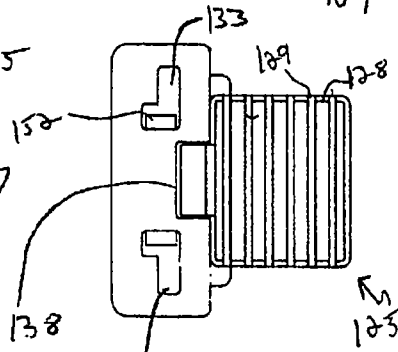


FIG 18

